

M20 Magnetic track light

Product Code

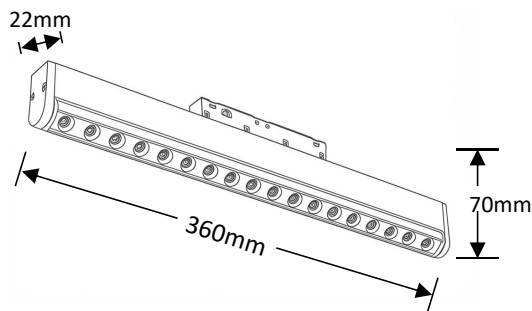
OPTIMT20AGL18W48V

OPTIMT20AGL18W48VD



IP rating	54
Ik rating	8
Source type	High power LED
Source life time	>50,000h at 25°C ambient temperature
CRI	>90
Step McAdam	3
Source flux	2160 lm
Source efficiency	120 lm/W
Delivered flux	1674 lm
Delivered efficiency	93 lm/W
Input power	18W
Supply voltage	DC48V
Insulation Class	Insulation class III
Power supply	Built in constant current driver
Material	Aluminum
Light colour/CCT	3000K/4000K/6000K
Beam angle	24°/36°
Mounting	Track installation
Reflector color	Black
Finishing	Black

Technical drawing



Temperature limits

Working temperature	-30°C to +50°C
Storage temperature	-50°C to +80°C

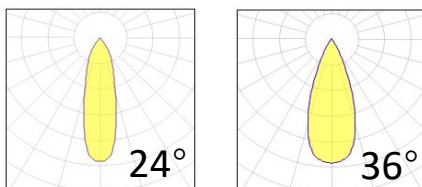
Light control

ON/off, optional DALI dimming

Construction

Die cast aluminum shell, matte painted surface, track head with strong magnet, suitable for standard 20 tracks and accessories

Photometrics



Warranty

- 5-year limited system warranty standard
- Warranty does not cover product failure due to an overvoltage event (power surge)
- For installations where power surge may be possible, NICOR recommends installing additional surge protection at the electrical distribution panel

Specifications

