

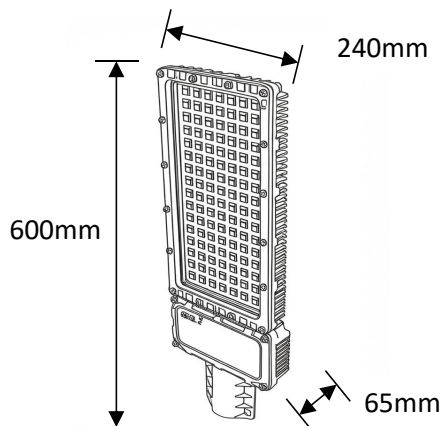
## Explosion Proof Lights

Product Code  
**OPTOEPL25GS200W220V**



<b>IP rating</b>	65
<b>Ik rating</b>	8
<b>Source type</b>	High power LED
<b>Source life time</b>	>50,000h at 25°C ambient temperature
<b>CRI</b>	>80
<b>Step McAdam</b>	3
<b>Source flux</b>	30000 lm
<b>Source efficiency</b>	150 lm/W
<b>Delivered flux</b>	28000 lm
<b>Delivered efficiency</b>	140 lm/W
<b>Input power</b>	200W
<b>Supply voltage</b>	110~240V AC
<b>Insulation Class</b>	Insulation class I
<b>Power supply</b>	Built in constant current driver
<b>Material</b>	Aluminum
<b>Light colour/CCT</b>	3000-6500K
<b>Beam angle</b>	120°
<b>Mounting</b>	Suspension installation
<b>Reflector color</b>	-
<b>Finishing</b>	Yellow

## Technical drawing



## Temperature limits

<b>Working temperature</b>	-30C° to +50C°
<b>Storage temperature</b>	-50C° to +80C°

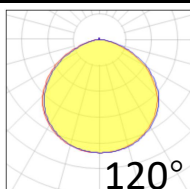
## Light control

ON/off, DALI dimming

## Construction

Die-casting aluminum case, excellent heat dissipation performance, Durable outdoor painting process of the product, excellent quality, anti-corrosion and anti-rusting performance, widely used in different environment

## Photometrics



## Warranty

- 5-year limited system warranty standard
- Warranty does not cover product failure due to an overvoltage event (power surge)
- For installations where power surge may be possible, NICOR recommends installing additional surge protection at the electrical distribution panel

## Specifications

