

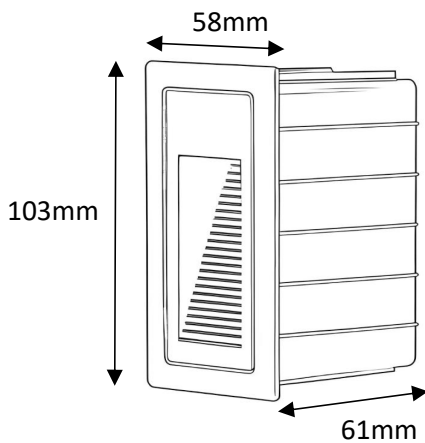
Outdoor Recessed Wall Foot Light

Product Code
OPTOFTL2AS3W220VB



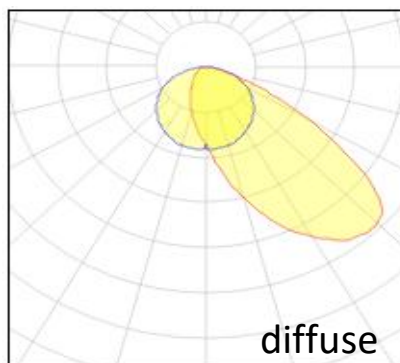
IP rating	65
Ik rating	8
Source type	High power LED
Source life time	>50,000h at 25°C ambient temperature
CRI	>80
Step McAdam	3
Source flux	360 lm
Source efficiency	120 lm/W
Delivered flux	240 lm
Delivered efficiency	80 lm/W
Input power	3W
Supply voltage	110~240V AC
Insulation Class	insulation class III
Power supply	constant current driver
Material	aluminium
Light colour/CCT	3000K/4000K/6000K
Beam angle	diffuse
Mounting	Recessed Wall Mounting
Reflector color	-
Finishing	white/black

Technical drawing



Wall Cutout Size: 97*51*61mm

Photometrics



Temperature limits

Working temperature	-30°C to +50°C
Storage temperature	-50°C to +80°C

Light control

ON/off

Construction

This outdoor recessed wall foot light features a diffused reflection design, providing soft, glare-free illumination for enhanced visual comfort. With a durable die-cast aluminum housing and IP65 waterproof rating, it ensures long-lasting performance in outdoor environments.

Warranty

- 5-year limited system warranty standard
- Warranty does not cover product failure due to an overvoltage event (power surge)
- For installations where power surge may be possible, NICOR recommends installing additional surge protection at the electrical distribution panel

Specifications

