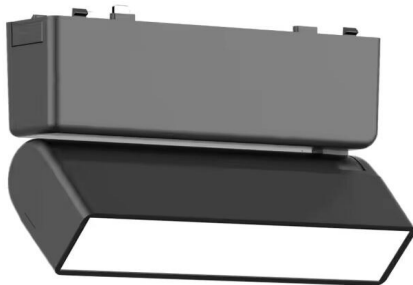


## M26 Magnetic Track Light

Product Code

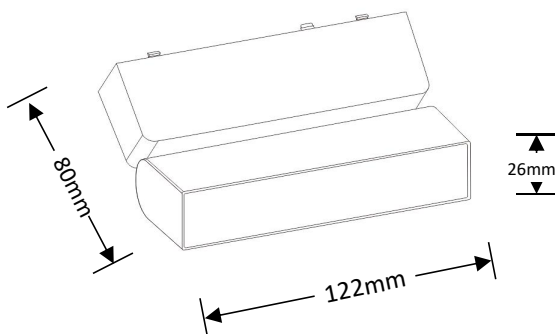
**OPTIMT26FFL6W48VA**

**OPTIMT26FFL6W48VAD**



<b>IP rating</b>	54
<b>Ik rating</b>	8
<b>Source type</b>	High power LED
<b>Source life time</b>	>50,000h at 25°C ambient temperature
<b>CRI</b>	>90
<b>Step McAdam</b>	3
<b>Source flux</b>	720 lm
<b>Source efficiency</b>	120 lm/W
<b>Delivered flux</b>	558 lm
<b>Delivered efficiency</b>	93 lm/W
<b>Input power</b>	6W
<b>Supply voltage</b>	DC48V
<b>Insulation Class</b>	insulation class III
<b>Power supply</b>	Built in constant current driver
<b>Material</b>	aluminum
<b>Light colour/CCT</b>	3000K/4000K/6000K
<b>Beam angle</b>	110°
<b>Mounting</b>	Track installation
<b>Reflector color</b>	black
<b>Finishing</b>	black

### Technical drawing



### Temperature limits

<b>Working temperature</b>	-30C° to +50C°
<b>Storage temperature</b>	-50C° to +80C°

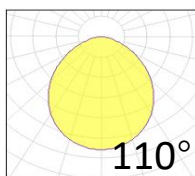
### Light control

ON/off, optional DALI dimming

### Construction

Die cast aluminum shell, matte painted surface, track head with strong magnet, suitable for standard 26 tracks and accessories

### Photometrics



### Warranty

- 5-year limited system warranty standard
- Warranty does not cover product failure due to an overvoltage event (power surge)
- For installations where power surge may be possible, NICOR recommends installing additional surge protection at the electrical distribution panel

### Specifications

