

## Surface Mounted Ceiling Light

Product Code

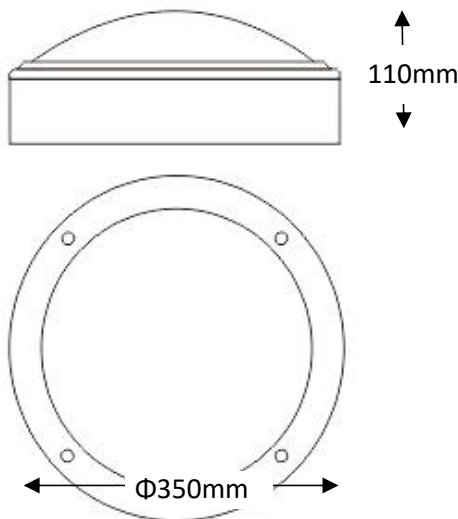
**ARCISMCL1AR40W220V**

**ARCISMCL1AR40W220VD**



<b>IP rating</b>	65
<b>Ik rating</b>	8
<b>Source type</b>	High power LED
<b>Source life time</b>	>50,000h at 25°C ambient temperature
<b>CRI</b>	>80
<b>Step McAdam</b>	3
<b>Source flux</b>	4800 lm
<b>Source efficiency</b>	120 lm/W
<b>Delivered flux</b>	4000 lm
<b>Delivered efficiency</b>	100 lm/W
<b>Input power</b>	40W
<b>Supply voltage</b>	110~240V AC
<b>Insulation Class</b>	insulation class III
<b>Power supply</b>	Lifud driver constant current
<b>Material</b>	aluminium+PC
<b>Light colour/CCT</b>	2700K/3000K/4000K/6000K
<b>Beam angle</b>	diffuse
<b>Mounting</b>	surface mount
<b>Reflector color</b>	-
<b>Finishing</b>	white/black/grey

### Technical drawing



### Temperature limits

<b>Working temperature</b>	-30°C to +50°C
<b>Storage temperature</b>	-50°C to +80°C

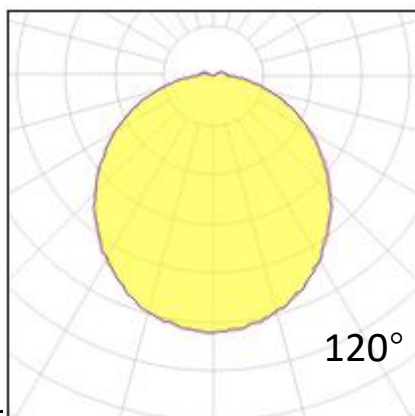
### Light control

ON/off, optional DALI dimming

### Construction

Die cast aluminum shell, matte painted surface, anti-corrosion and rust proof, tough PC material lampshade, not easily damaged, IP65 structure waterproof

### Photometrics



### Warranty

- 5-year limited system warranty standard
- Warranty does not cover product failure due to an overvoltage event (power surge)
- For installations where power surge may be possible, NICOR recommends installing additional surge protection at the electrical distribution panel

### Specifications

