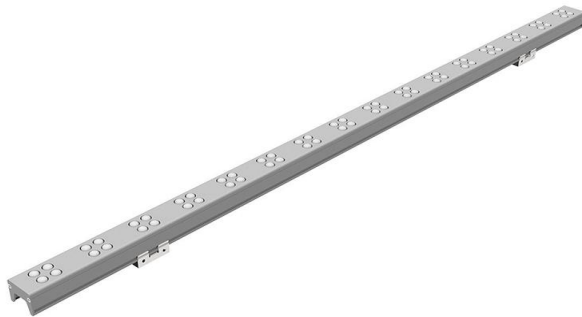


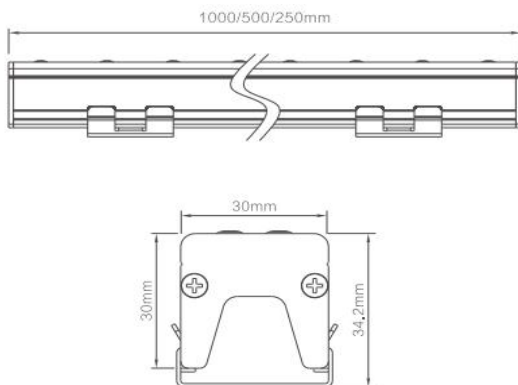
## Linear light

Product Code  
**OPTOLL303024V**



<b>IP rating</b>	65
<b>Ik rating</b>	8
<b>Source type</b>	Hight power LED
<b>Source life time</b>	>50,000h at 25°C ambient temperature
<b>CRI</b>	>80
<b>Step McAdam</b>	3
<b>Source flux</b>	1800 lm
<b>Source efficiency</b>	120 lm/W
<b>Delivered flux</b>	1650 lm
<b>Delivered efficiency</b>	110 lm/W
<b>Input power</b>	15W
<b>Supply voltage</b>	DC24V
<b>Insulation Class</b>	insulation class III
<b>Power supply</b>	Built in constant current
<b>Material</b>	Aluminum+Acrylic
<b>Light colour/CCT</b>	3000K/4000K/6000K/RGB
<b>Beam angle</b>	120°
<b>Mounting</b>	surface mount
<b>Reflector color</b>	-
<b>Finishing</b>	Grey

## Technical drawing



## Temperature limits

<b>Working temperature</b>	-30°C to +50°C
<b>Storage temperature</b>	-50°C to +80°C

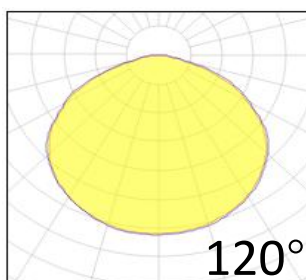
## Light control

ON/off, DMX 512

## Construction

The cover is made of high-quality PMMA material, with strong weather resistance and no yellowing for three years; The lamp body is made of aluminum and the surface is coated with outdoor powder

## Photometrics



## Warranty

- 5-year limited system warranty standard
- Warranty does not cover product failure due to an overvoltage event (power surge)
- For installations where power surge may be possible, NICOR recommends installing additional surge protection at the electrical distribution panel

## Specifications

