

Datasheet

Striped Plastic Coated Aluminum GU10 Bulbs

Product Code

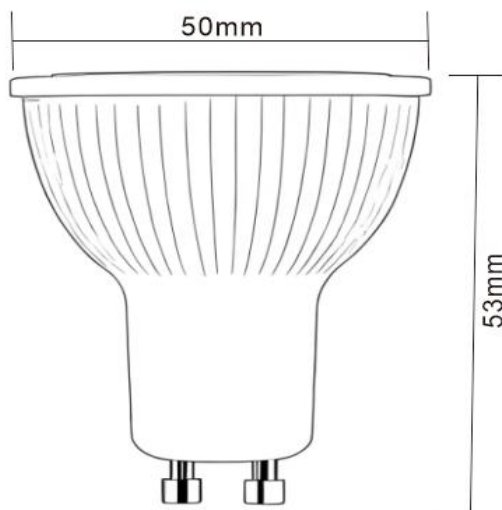
OPTIGU10W3PA220V-A

OPTIGU10W3PA220VD-A



IP rating	20
Ik rating	6
Source type	High power LED
Source life time	>50,000h at 25°C ambient temperature
CRI	>80
Step McAdam	3
Source flux	420 lm
Source efficiency	140 lm/W
Delivered flux	330 lm
Delivered efficiency	110 lm/W
Input power	3W
Supply voltage	AC 100-240V
Insulation Class	insulation class III
Power supply	Built in constant current
Material	Plastic aluminum
Light colour/CCT	2700K/3000K/4000K/6000K
Beam angle	30°
Base	GU10
Reflector color	-
Finishing	white

Technical drawing



Temperature limits

Working temperature	-30°C to +50°C
Storage temperature	-50°C to +80°C

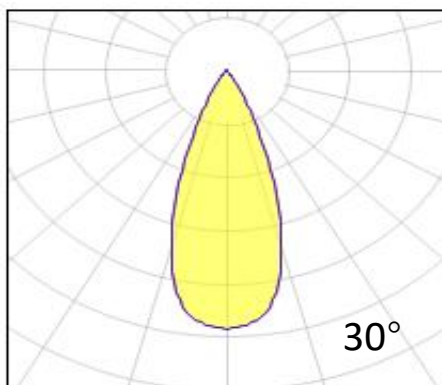
Light control

ON/off, Phase dimming

Construction

The outermost shell is made of plastic, the inside is made of aluminum, and the PC diffusion lampshade

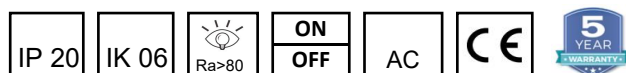
Photometrics



Warranty

- 5-year limited system warranty standard
- Warranty does not cover product failure due to an overvoltage event (power surge)
- For installations where power surge may be possible, NICOR recommends installing additional surge protection at the electrical distribution panel

Specifications



OPTILUX LIGHTING

Optilux reserves the right to make changes to this product at any time without notice and such change will be effective immediately.
Copyright © 2024 FANGTIAN TECHNOLOGY LLC.