

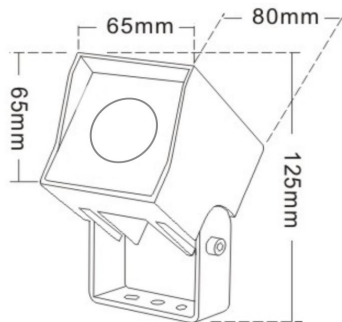
Square spotlight

Product Code
OPTOSL4CS3W220VB



IP rating	65
Ik rating	8
Source type	High power LED
Source life time	>50,000h at 25°C ambient temperature
CRI	>80
Step McAdam	3
Source flux	360 lm
Source efficiency	120 lm/W
Delivered flux	240 lm
Delivered efficiency	80 lm/W
Input power	3W
Supply voltage	220V AC
Insulation Class	insulation class III
Power supply	Built in constant current
Material	aluminium
Light colour/CCT	3000K/4000K/6000K
Beam angle	15°/24°/36°/60°
Mounting	surface mount
Reflector color	black
Finishing	Grey/Black

Technical drawing



Temperature limits

Working temperature	-30C° to +50C°
Storage temperature	-50C° to +80C°

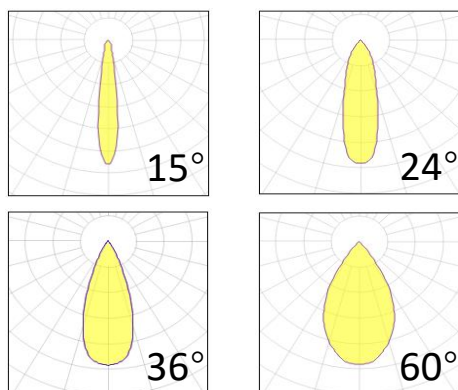
Light control

ON/off

Construction

Die cast aluminum shell, surface sandblasting treatment, anti-corrosion and rust prevention, adjustable bracket, tempered glass, stainless steel screws

Photometrics



Warranty

- 5-year limited system warranty standard
- Warranty does not cover product failure due to an overvoltage event (power surge)
- For installations where power surge may be possible, NICOR recommends installing additional surge protection at the electrical distribution panel

Specifications

