

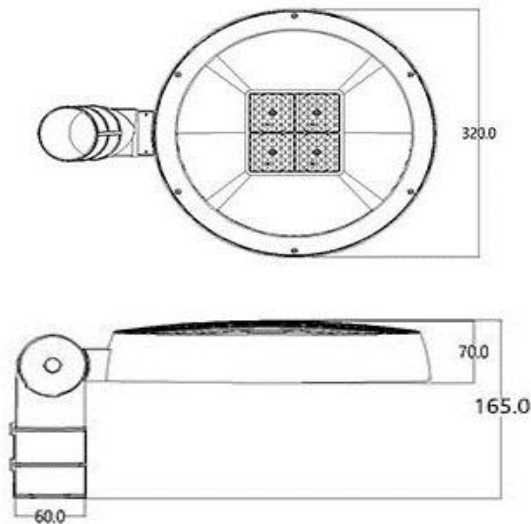
Post top light

Product Code
ARCOPTL2ALR40W220V

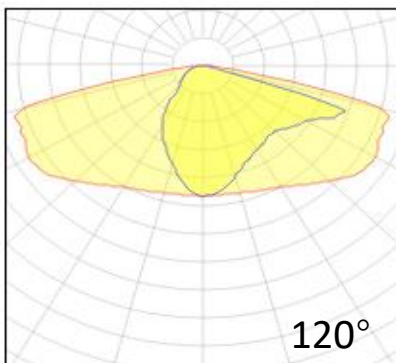


| | |
|-----------------------------|--------------------------------------|
| IP rating | 65 |
| Ik rating | 8 |
| Source type | High power LED |
| Source life time | >50,000h at 25°C ambient temperature |
| CRI | >90 |
| Step McAdam | 3 |
| Source flux | 4800 lm |
| Source efficiency | 120 lm/W |
| Delivered flux | 3200 lm |
| Delivered efficiency | 80 lm/W |
| Input power | 40W |
| Supply voltage | 220V AC |
| Insulation Class | insulation class III |
| Power supply | Built in constant current driver |
| Material | |
| Light colour/CCT | 2700K/3000K/4000K/6000K |
| Beam angle | 120° |
| Mounting | Installed on the lamp post |
| Reflector color | - |
| Finishing | grey/black |

Technical drawing



Photometrics



Temperature limits

| | |
|----------------------------|----------------|
| Working temperature | -30°C to +50°C |
| Storage temperature | -50°C to +80°C |

Light control

ON/off

Instruction

The courtyard lamp head is made from high-quality cast aluminum, ensuring excellent corrosion resistance and weather resistance, making it highly suitable for outdoor use.

Warranty

- 5-year limited system warranty standard
- Warranty does not cover product failure due to an overvoltage event (power surge)
- For installations where power surge may be possible, NICOR recommends installing additional surge protection at the electrical distribution panel

Specifications

