

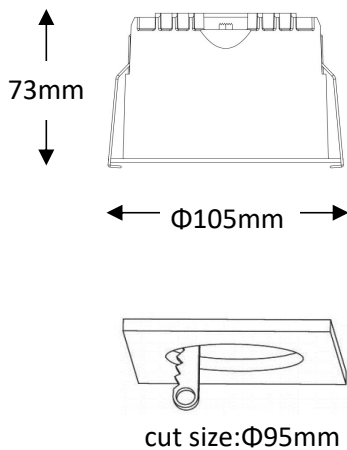
Recessed Downlight

Product Code
OPTIDL19AR20W220V
OPTIDL19AR20W220VD



IP rating	54
Ik rating	8
Source type	Hight power LED
Source life time	>50,000h at 25°C ambient temperature
CRI	>90
Step McAdam	3
Source flux	2400 lm
Source efficiency	120 lm/W
Delivered flux	1600 lm
Delivered efficiency	80 lm/W
Input power	20W
Supply voltage	220~240V AC
Insulation Class	insulation class III
Power supply	Lifud driver constant current
Material	aluminum
Light colour/CCT	3000K/4000K/6000K
Beam angle	15/24/38/55°
Mounting	Surface Mounted
Reflector color	Black/White/Silver
Finishing	white/black

Technical drawing



Temperature limits

Working temperature	-30C° to +50C°
Storage temperature	-50C° to +80C°

Light control

ON/off, optional DALI dimming

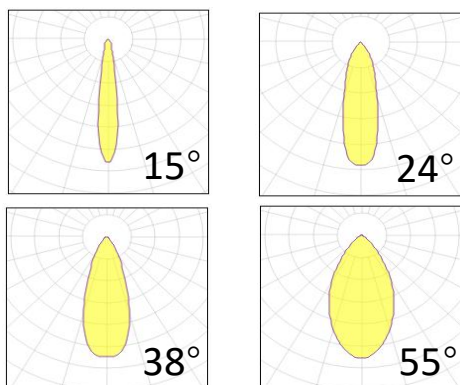
Construction

- Cast aluminum trim routes heat away from electrical components
- Adjustable, spring loaded retention tabs ensure secure fixture retention
- Certified for direct contact with insulation

Warranty

- 5-year limited system warranty standard
- Warranty does not cover product failure due to an overvoltage event (power surge)
- For installations where power surge may be possible, NICOR recommends installing additional surge protection at the electrical distribution panel

Photometrics



Specifications

