

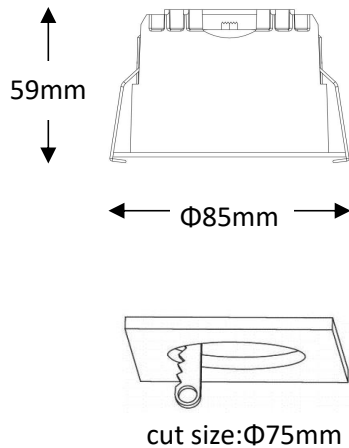
## Recessed Downlight

Product Code  
**OPTIDL19AR12W220V**  
**OPTIDL19AR12W220VD**



<b>IP rating</b>	54
<b>Ik rating</b>	8
<b>Source type</b>	High power LED
<b>Source life time</b>	>50,000h at 25°C ambient temperature
<b>CRI</b>	>90
<b>Step McAdam</b>	3
<b>Source flux</b>	1440 lm
<b>Source efficiency</b>	120 lm/W
<b>Delivered flux</b>	960 lm
<b>Delivered efficiency</b>	80 lm/W
<b>Input power</b>	12W
<b>Supply voltage</b>	220~240V AC
<b>Insulation Class</b>	insulation class III
<b>Power supply</b>	Lifud driver constant current
<b>Material</b>	aluminum
<b>Light colour/CCT</b>	3000K/4000K/6000K
<b>Beam angle</b>	15/24/38/55°
<b>Mounting</b>	Surface Mounted
<b>Reflector color</b>	Black/White/Silver
<b>Finishing</b>	white/black

## Technical drawing



## Temperature limits

<b>Working temperature</b>	-30C° to +50C°
<b>Storage temperature</b>	-50C° to +80C°

## Light control

ON/off, optional DALI dimming

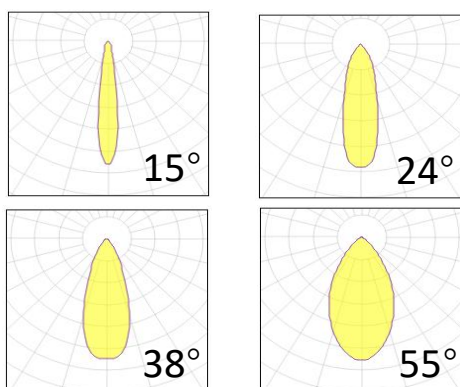
## Construction

- Cast aluminum trim routes heat away from electrical components
- Adjustable, spring loaded retention tabs ensure secure fixture retention
- Certified for direct contact with insulation

## Warranty

- 5-year limited system warranty standard
- Warranty does not cover product failure due to an overvoltage event (power surge)
- For installations where power surge may be possible, NICOR recommends installing additional surge protection at the electrical distribution panel

## Photometrics



## Specifications

