

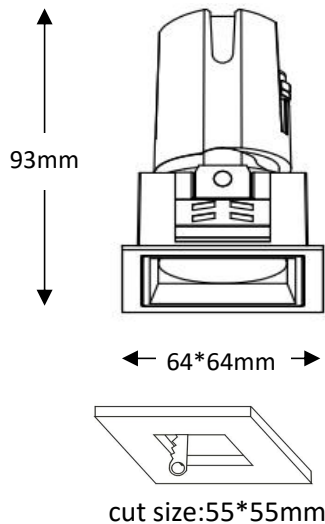
Recessed Spotlight

Product Code
OPTISL1BS10W220V
OPTISL1BS10W220VD



IP rating	54
Ik rating	8
Source type	High power LED
Source life time	>50,000h at 25°C ambient temperature
CRI	>90
Step McAdam	3
Source flux	1200 lm
Source efficiency	120 lm/W
Delivered flux	800 lm
Delivered efficiency	80 lm/W
Input power	10W
Supply voltage	220~240V AC
Insulation Class	insulation class III
Power supply	Lifud driver constant current
Material	aluminum
Light colour/CCT	3000K/4000K/6000K
Beam angle	15/24/36/60°
Mounting	ceiling-recessed
Reflector color	Matte Black/Matte White/Sand Silver
Finishing	white and dark grey

Technical drawing



Temperature limits

Working temperature	-30C° to +50C°
Storage temperature	-50C° to +80C°

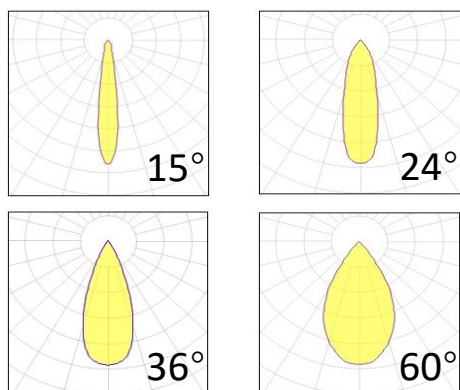
Light control

ON/off, optional DALI dimming

Construction

- Cast aluminum trim routes heat away from electrical components
- Adjustable, spring loaded retention tabs ensure secure fixture retention
- Certified for direct contact with insulation

Photometrics



Warranty

- 5-year limited system warranty standard
- Warranty does not cover product failure due to an overvoltage event (power surge)
- For installations where power surge may be possible, NICOR recommends installing additional surge protection at the electrical distribution panel

Specifications

